

ILEX WAY - PHASE II

BEING A PLAT OF A PORTION OF
SECTION 12, TOWNSHIP 43 SOUTH, RANGE 40 EAST,
CITY OF WESTLAKE, PALM BEACH COUNTY, FLORIDA

23

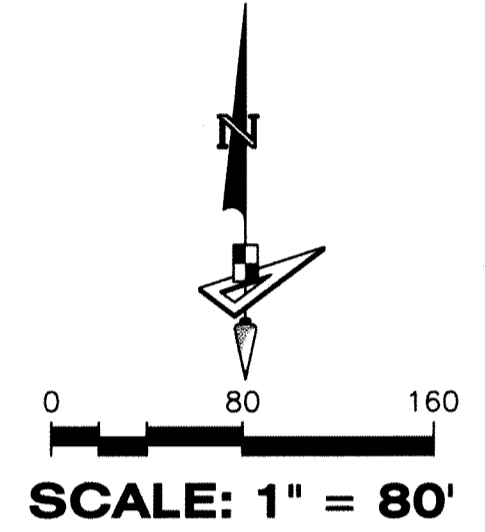
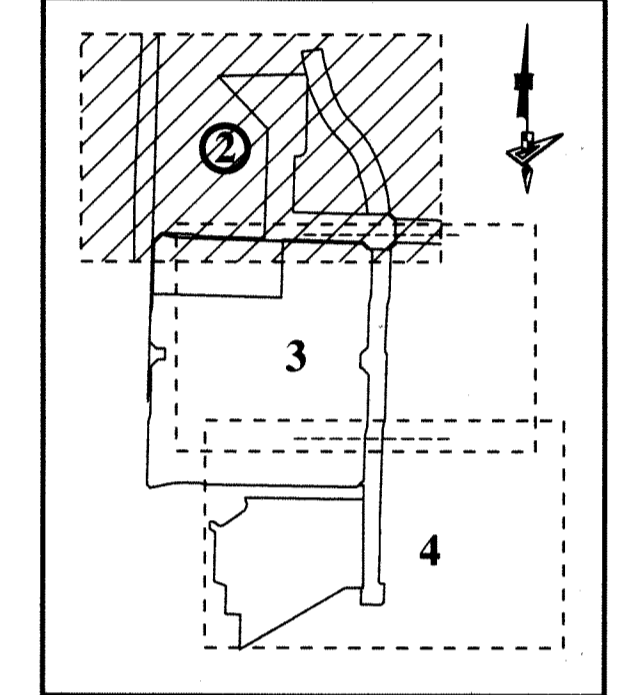
NORTHWEST CORNER SECTION 1-43-40
FOUND BRASS DISK IN CONCRETE "P.B.C."
N:884612.3299, E:880484.6585
NAD83 (2007 ADJUSTMENT)
CERTIFIED CORNER RECORD #107585

POINT OF COMMENCEMENT
NORTHEAST CORNER OF
SECTION 1, TOWNSHIP 43 S., RANGE 40 E.
SET 3.5" IRON PIPE "PUBLIC LAND SURVEY
CORNER-TALLAHASSEE MERIDIAN"
BRASS DISK "10' EAST" SET IN CONCRETE
FOUND 10' EAST ON SECTION LINE
N: 884626.7147
E: 886137.1629
NAD83 (2007 ADJUSTMENT)
CERTIFIED CORNER RECORD #107597

BASIS OF BEARING
NORTH BOUNDARY
OF SECTION 6,
TOWNSHIP 43 S., RANGE 41 E.
S.89°48'53"E., 5270.23'
(MEASURED)
S.89°48'52"E., 5270.39'
(COUNTY)

NORTHEAST CORNER
SECTION 6-43-41
FOUND BRASS DISK IN
CONCRETE "P.B.C."
N:884609.6818 E:891407.3638
NAD83 (2007 ADJUSTMENT)
CERTIFIED CORNER
RECORD #107591

SHEET MAP
(NOT TO SCALE)



EAST 1/4 CORNER SECTION 1-43-40
BRASS DISK IN CONCRETE "P.B.C."
CERTIFIED CORNER RECORD # 107599
N:881943.9584 (83/07)
E:886064.5056 (83/07)

LEGEND

- P.O.B. ----- POINT OF BEGINNING
- P.B. ----- PLAT BOOK
- D.B. ----- DEED BOOK
- PG./PG(S) ----- PAGE(S)
- O.S.T. ----- OPEN SPACE TRACT
- P.B.C. ----- PALM BEACH COUNTY
- R.P.B. ----- ROAD PLAT BOOK
- LB ----- LICENSED BUSINESS
- CL ----- CENTERLINE
- U.E. ----- UTILITY EASEMENT
- L.S.E. ----- LINE SIGHT EASEMENT
- R/W ----- RIGHT-OF-WAY
- 12-43-40 ----- SECTION-TOWNSHIP-RANGE
- ----- FOUND PERMANENT REFERENCE MONUMENT
- ----- SET PERMANENT REFERENCE MONUMENT
- ----- INDICATES (S.I.R.) SET IRON ROD LB7768
- ◎ ----- PERMANENT CONTROL POINT

BASIS OF BEARINGS

BEARINGS SHOWN HEREON ARE BASED ON THE NORTH BOUNDARY OF SECTION 6, TOWNSHIP 43 SOUTH, RANGE 41 EAST, HAVING A GRID BEARING OF S.89°48'53"E. (MEASURED). BEARINGS SHOWN HEREON, REFER TO THE STATE PLANE COORDINATE SYSTEM, NORTH AMERICA DATUM OF 1983 (NAD 83 - '07) FOR THE EAST ZONE OF FLORIDA. SAID BASIS OF BEARING IS THE SAME IN THE NORTH AMERICAN DATUM OF 1983 (NAD 83 - '90).

COORDINATES SHOWN HEREON ARE
FLORIDA STATE PLANE GRID
DATUM = NAD83 2007 ADJUSTMENT
ZONE = FLORIDA EAST
LINEAR UNITS = US SURVEY FEET
COORDINATE SYSTEM = 1983 STATE PLANE
PROJECTION = TRANSVERSE MERCATOR
ALL DISTANCES ARE GROUND
SCALE FACTOR: 1.0000
GROUND DISTANCE X SCALE FACTOR = GRID DISTANCE
NO ROTATION
ALL TIES TO SECTION CORNERS AND QUARTER CORNERS
ARE GENERATED FROM MEASURED VALUES

NOTICE: THIS PLAT, AS RECORDED IN ITS GRAPHIC FORM, IS THE OFFICIAL DEPICTION OF THE SUBDIVIDED LANDS DESCRIBED HEREIN AND WILL IN NO CIRCUMSTANCES BE SUPPLANTED IN AUTHORITY BY ANY OTHER GRAPHIC OR DIGITAL FORM OF THE PLAT. THERE MAY BE ADDITIONAL RESTRICTIONS THAT ARE NOT RECORDED ON THIS PLAT THAT MAY BE FOUND IN THE PUBLIC RECORDS OF THIS COUNTY.

